



# CATIA PLM Express

## CATIA - Accommodation Layout

**A unique way to prepare ship accommodation**

A preliminary design layout is essential to ensure structural design accuracy. Without verifying the space reservation early in the design phase, the design is susceptible to errors and delays.

### Overview

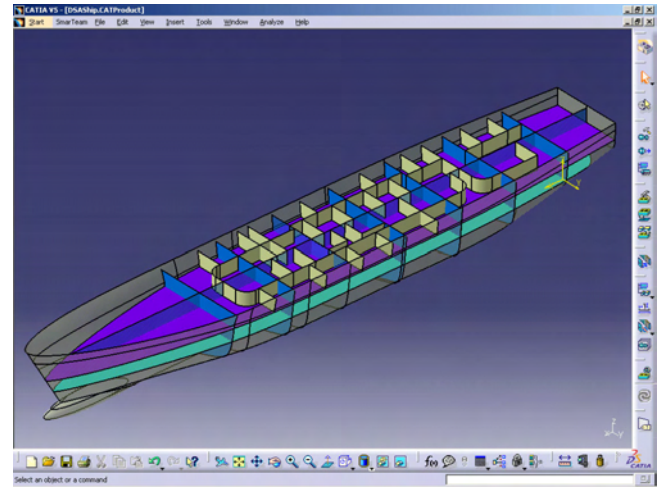
CATIA - Accommodation Layout improves conceptual design by delivering powerful capabilities to define structural design: space reservation of electrical, fluidic systems, plate thickness, stiffeners ... and compartments and accesses.

### Customer Benefits

- Powerful application that helps enrich the initial design by defining structural design elements, space reservation networks and compartment accesses
- Define early space claim to allow interference checking at the early stages of the design process.
- Tight integration with all CATIA V5 applications gives the user a powerful set of tools to help contribute to the overall ship design process

## Key Capabilities

- Define plate thickness, adding stiffeners and pillars or stanchions
- Define space reservations for electrical systems in the early phases of the design process
- Easy and intuitive routing capabilities to create pathways
- Full modification capabilities for design iteration
- Defines wall systems within a deck, compartments and boundary surfaces inside a ship
- Quick generation of multiple wall surfaces to facilitate their design
- Place access objects such as doors, windows, stairs
- Provide Drawing and Report generation capabilities



Screen capture of CATIA - Accomodation Layout

Visit us at [www.3ds.com/my-catia-plm-express](http://www.3ds.com/my-catia-plm-express)

### About Dassault Systèmes

a world leader in 3D and Product Lifecycle Management (PLM) solutions, Dassault Systèmes brings value to more than 90,000 customers in 80 countries. A pioneer in the 3D software market since 1981, Dassault Systèmes develops and markets PLM application software and services that support industrial processes and provide a 3D vision of the entire lifecycle of products from conception to maintenance. The Dassault Systèmes portfolio consists of CATIA for designing the virtual product - SolidWorks for 3D mechanical design - DELMIA for virtual production - SIMULIA for virtual testing and ENOVIA for global collaborative lifecycle management, including ENOVIA VPLM, ENOVIA MatrixOne and ENOVIA SmarTeam. Dassault Systèmes is listed on the Nasdaq (DASTY) and Euronext Paris (#13065, DSY.PA) stock exchanges. For more information, visit <http://www.3ds.com>

CATIA, DELMIA, ENOVIA, SIMULIA and SolidWorks are registered trademarks of Dassault Systèmes or its subsidiaries in the US and/or other countries. Copyright Dassault Systèmes 2002, 2006. All rights reserved. IGRIP®, QUEST®, IGRIP®, ULTRAARC®, ULTRAPAINT®, ULTRASPOT®, VIRTUAL NC® are registered in the US Patent and Trade Mark Office by DELMIA Corp. INSPECTTM is owned by DELMIA Corp.

